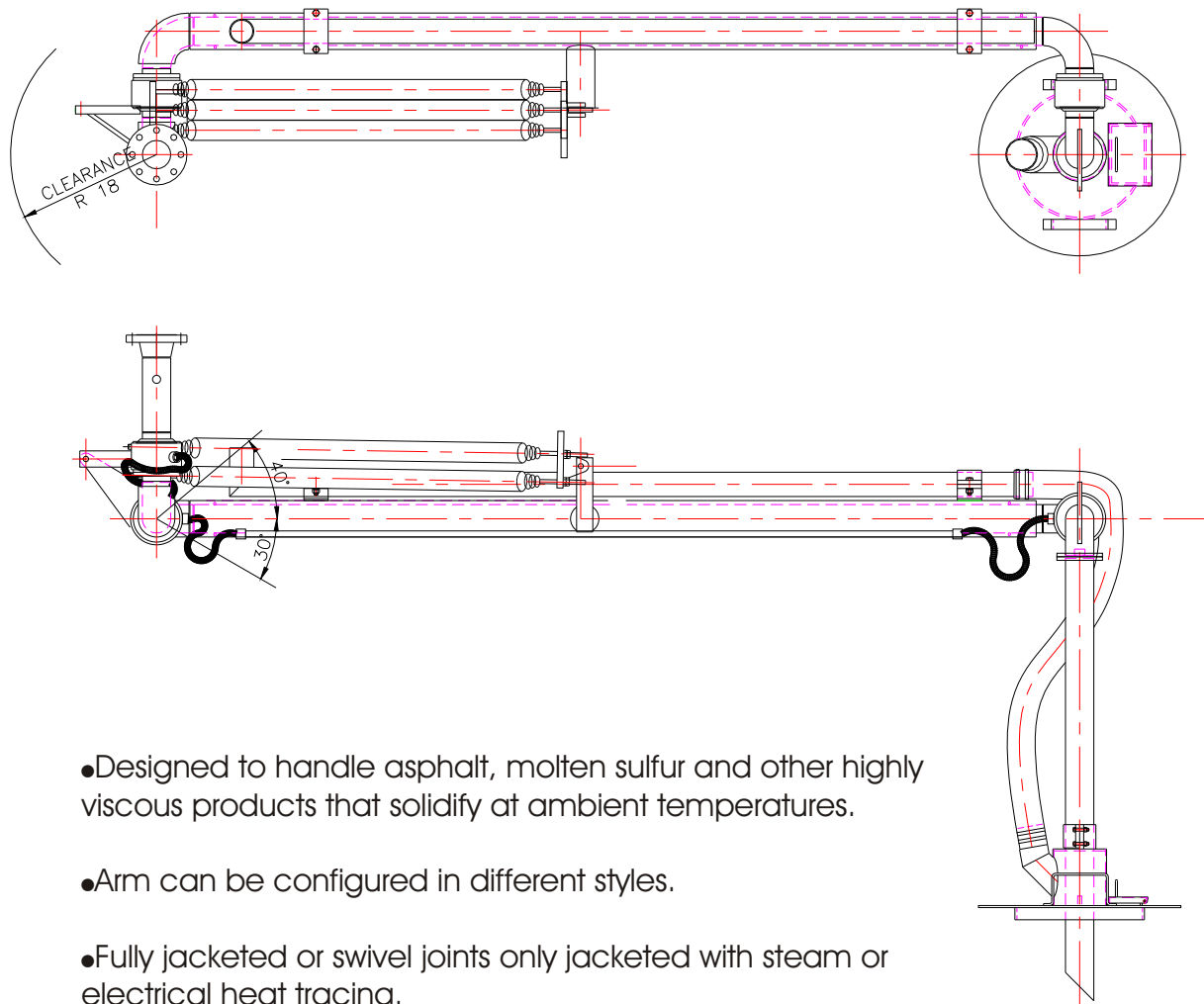


Steam Jacketed Loader



- Designed to handle asphalt, molten sulfur and other highly viscous products that solidify at ambient temperatures.
- Arm can be configured in different styles.
- Fully jacketed or swivel joints only jacketed with steam or electrical heat tracing.