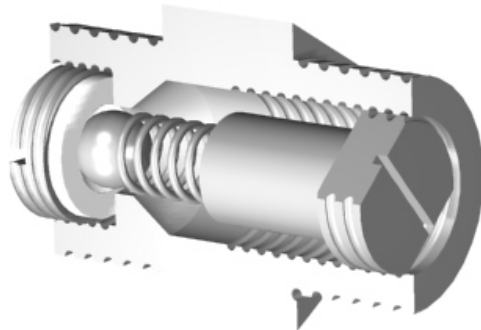
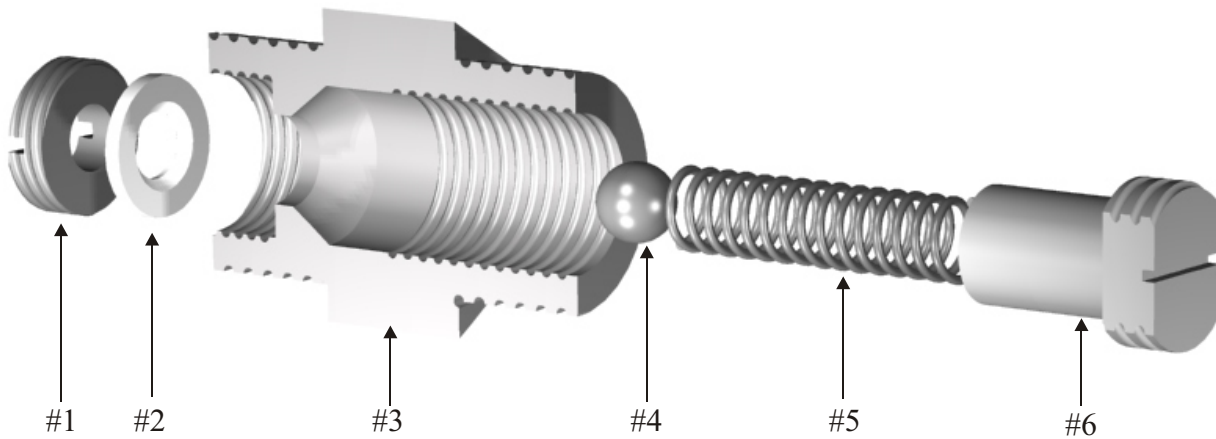
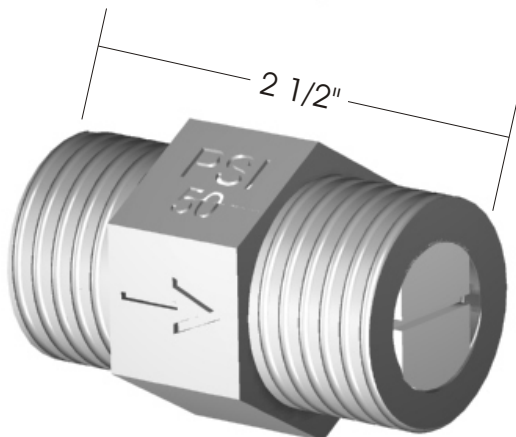


PME153 Thermal Relief Valve



ITEM	DESCRIPTION	MATERIAL
#1	Retainer	Stainless Stl.
#2	Seat	Teflon
#3	Body	Steel
#4	Ball	Stainless Stl.
#5	Spring	Stainless Stl.
#6	Screw	Stainless Stl.



- The PME153 is designed to relieve excessive thermal pressure in a closed line.
- The valve has 1" MNPT connections.
- The standard valve is available preset at 25, 50 or 75 psi.
- Other relief settings are available on request.