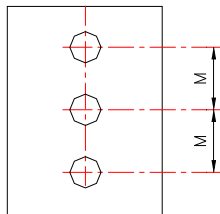
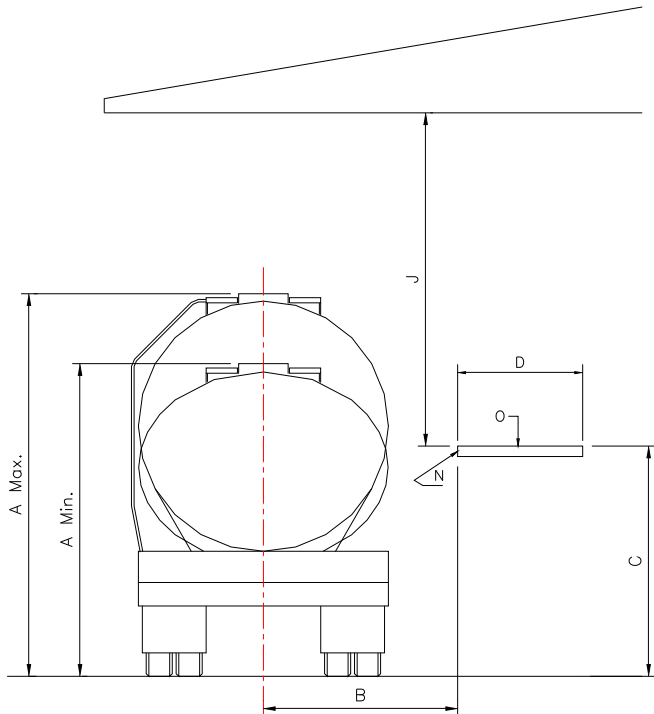


Loading Platform

Data Sheet



SKETCH AREA

What type of vehicle will be loaded. Truck ____, Railcar _____.

Will trucks be loading on both sides of Platform _____.

Number of loading arms mounted on Platform _____.

A) Truck Height Max _____, Min _____.

B) Center to Platform edge _____.

C) Platform Height _____.

D) Platform Width _____.

J) Clearance Height from Platform _____.

K) Safety Rail to Riser Center _____.

L) Safety Rail to Tank Truck Max _____, Min _____.

M) Fill Centers _____.

N) Platform Structure

- channel toed in _____, Size _____.
- channel toed out _____, Size _____.
- I beam _____, Size _____.

O) Type of Grating _____.

Access stairways from grade to Platform surface.

- Placement
 - One end only _____.
 - Both ends _____.
 - Other _____.
- Width of treads _____.

Type of optional equipment needed.

- Manual hydraulic lift package _____.
- Electrical hydraulic lift package _____.
- Self-leveling safety cage _____.
- Other _____.

Type of finishes

- Prime painted red oxide _____.
- Hot dipped galvanized _____.
- Other coating _____.