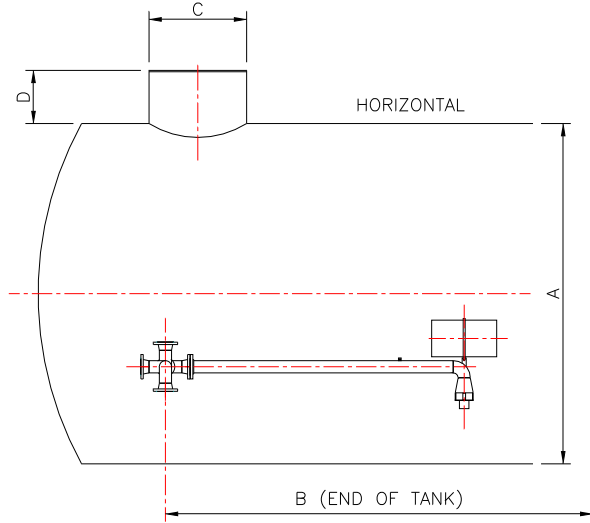


Floating Suction

Data Sheet



HORIZONTAL TANK

Size of Floating Suction _____.

Product _____.

Max GPM _____.

Temperature of Product _____.

Tank Type : Horizontal

Above Ground _____, Below Ground _____.

Size of Tank:

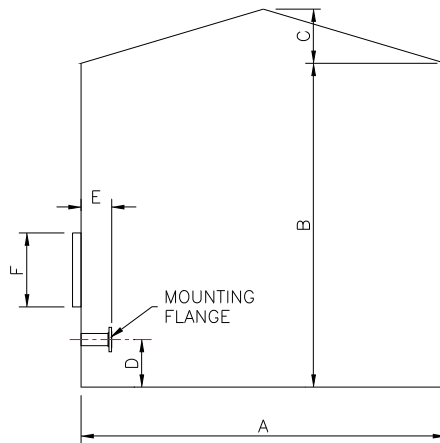
A) Diameter of Tank _____.

B) Length to Clear _____.

C) Diameter of Manhole _____.

D) Manhole Height _____.

VERTICAL



VERTICAL TANK

Size of Floating Suction _____.

Product _____.

Max GPM _____.

Temperature of Product _____.

Tank Type : Horizontal

Above Ground _____, Below Ground _____.

Size of Tank:

A) Diameter of Tank _____.

B) Height of Tank _____.

C) Height of Cone Roof _____.

D) Height of Nozzle _____.

E) Length of Nozzle _____.

F) Manhole Diameter _____.

Specification of Floating Suction Mounting Flange:

Size _____.

Diameter _____.

BCD _____.

Number of Holes _____.

SKETCH AREA

