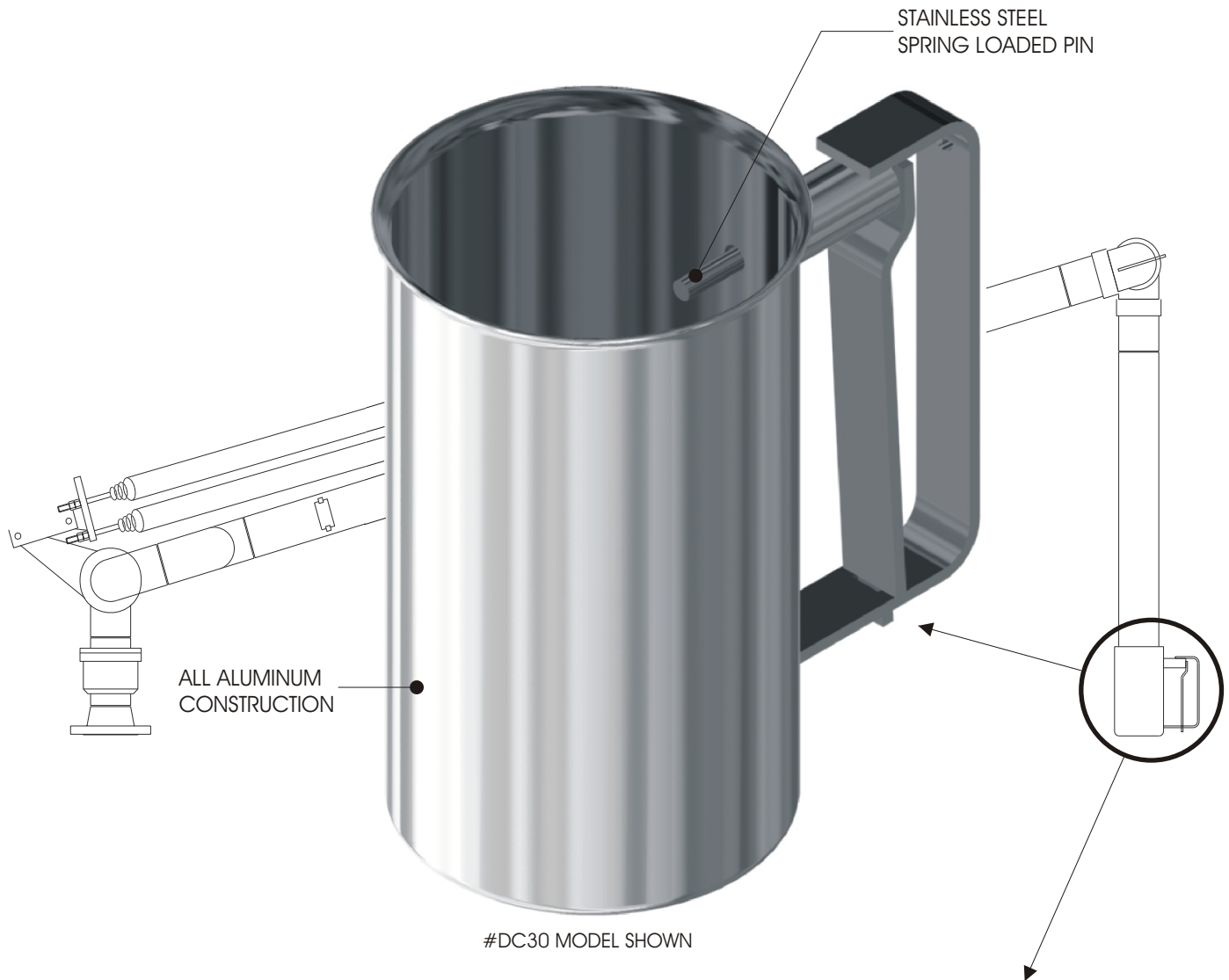


Drip Cup



#DC30 MODEL SHOWN

- (1) The #DC30 Drip cup will fit from 3.25" to 4" outside diameter spout end. (wt. 1.5 LBS.)
- (2) The #DC40 Drip cup will fit from 4.25" to 5" outside diameter spout end. (wt. 1.75 LBS.)
- (3) The #DC41 Drip cup will fit from 4.5" to 5.25" outside diameter spout end. (wt. 1.75 LBS)

Canadian Patent #2081725
United States Patent #5165574