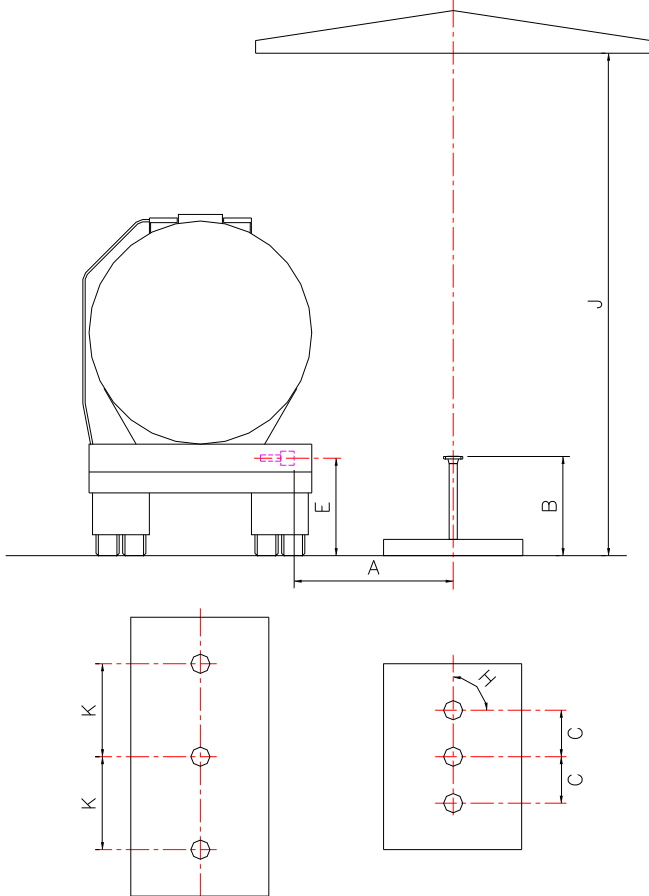


Tank Truck Bottom Loading Data Sheet



Loader Style _____, Size _____.

A) Reach Max _____, Min _____.

B) Riser Height _____.

C) Riser Centers _____.

D) Type of Riser Connections _____.

E) Adapter Height Max _____, Min _____.

F) Adapter Centers _____.

G) Adapter Type _____.

H) Loader Base Clearance Rad. _____.

J) Headroom _____.

K) Truck Adapter Centers _____.

To Be Used One Side _____, Both Sides _____, of Island

Line Pressure _____, P.S.I.

Flow Rate _____.

SKETCH AREA

| Riser #. | Product | Temp. Range | Adapter #. |
|----------|---------|-------------|------------|
| 1, | _____ | _____ | _____ |
| 2, | _____ | _____ | _____ |
| 3, | _____ | _____ | _____ |
| 4, | _____ | _____ | _____ |